

# 3kW OEM Microwave Generator, 2.45 GHz, WR340



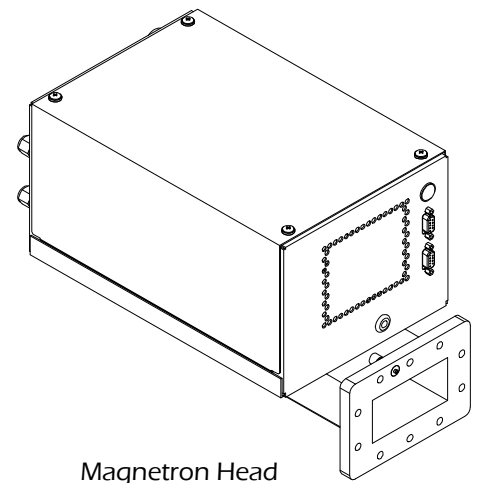
## Model GA4320

The model GA4320 microwave generator is designed to deliver up to 3kW variable microwave power for industrial microwave heating applications. The system consists of a rack mounted power supply (model GA4106A), remote magnetron head (model GA4019) and interconnecting cable set for a turnkey user-friendly microwave generator. The magnetron head is specially designed for OEM system applications where small size and ease of maintenance are of primary importance.

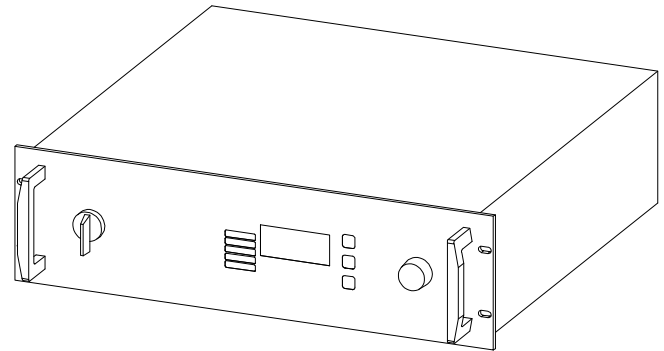
Operation of the GA4320 is made possible by local and remote control interfaces. Local manual controls are available at the front panel of the power supply, while both analog and digital (serial) interfaces are provided for remote control. Connections are also provided for external forward and reflected power sensing using model GA3301 power coupler interface modules (available separately).

Installation, serviceability and operator safety were primary considerations in the design of the GA4320 system. Setup involves little more than locating the power supply and magnetron head modules, attaching the waveguide and interconnect cables and plugging in the line power connector. Convenient mounting holes allow the equipment to be secured in place if necessary. Removal and replacement of the internal magnetron can be accomplished quickly using standard tools. The system is designed to comply with all regulatory requirements for emissions and operator safety when used in industrial environments.

The magnetron head is housed in an attractive brushed stainless steel enclosures for a striking appearance and rugged durability. The complete system includes a standardized 10 ft. cable set for connecting between the magnetron head and power supply (alternate lengths may be specified by customer). Optionally, the interconnect cables and/or connector set may be ordered separately. Contact GAE for more detailed information on these and other available options and custom configurations.



Magnetron Head



Power Supply Module

### General Specifications:

|                  |  |
|------------------|--|
| Output Power     | 3kW continuous, variable 10-100%   |
| Magnetron        | Panasonic 2M265  |
| Output Waveguide | WR340  |
| Output Flange    | WR340 (UG-554/U)   |
| Frequency        | 2.45 GHz +/- 30 MHz  |
| Cooling          | MH: Water flow, 0.5 gpm @ 35°C max inlet temp (dew point min. inlet temp)<br>PS: Forced air by internal fans   |
| Input Line Power | 190-240 VAC, 50/60 Hz, 3-phase, 19 Amp/phase max (17 A @ 208 VAC)  |
| Interlocks       | Access cover, Magnetron cooling, Magnetron over-temp   |
| Remote Controls  | Mw Enable Input<br>Mw Power Reference Input<br>Forward Power Sense Output<br>Reflected Power Sense Output<br>Status Indicator Outputs<br>RS-232/RS-485 Interface |

|                  |  |
|------------------|--|
| Local Controls   | Main Power On-Off (circuit breaker)<br>Mw Power Adjust (10-turn dial)<br>Programming Buttons<br>Status Indicators<br>LCD Display |
| Construction     | MH: Brushed stainless steel enclosure, aluminum waveguide<br>PS: Aluminum rack-mount enclosure                                   |
| Weight (approx.) | MH: 20 lbs (9 kgm)<br>PS: 38 lbs (17 kgm)  |

### Options:

- ◆ Alternate waveguide flange styles with threaded inserts, stud or captive fasteners
- ◆ Custom cable sets

### Accessories:

- ◆ Flange Hardware Kit, Model GA8409 (please see GA8409 specification for selection)



All dimensions are in inches [millimeters].

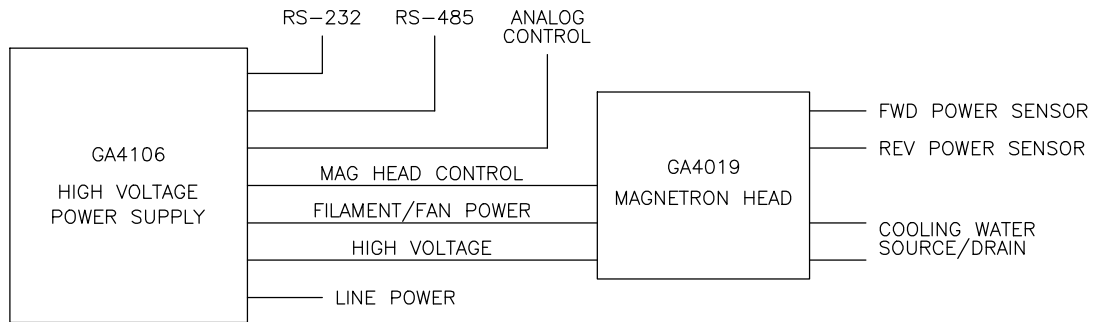
© 2007-2009 Gerling Applied Engineering, Inc.  
PO Box 580816 ■ Modesto, CA 95358 ■ USA  
Phone: +1-209-527-8960 ■ Fax: +1-209-527-5385  
E-mail: sales@2450MHz.com ■ Web: www.2450MHz.com

Updated 15MAY09

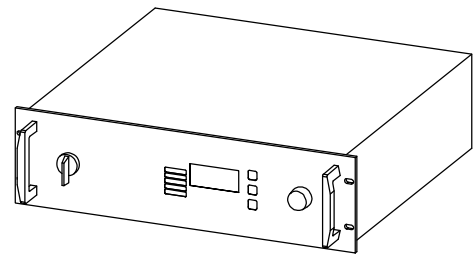
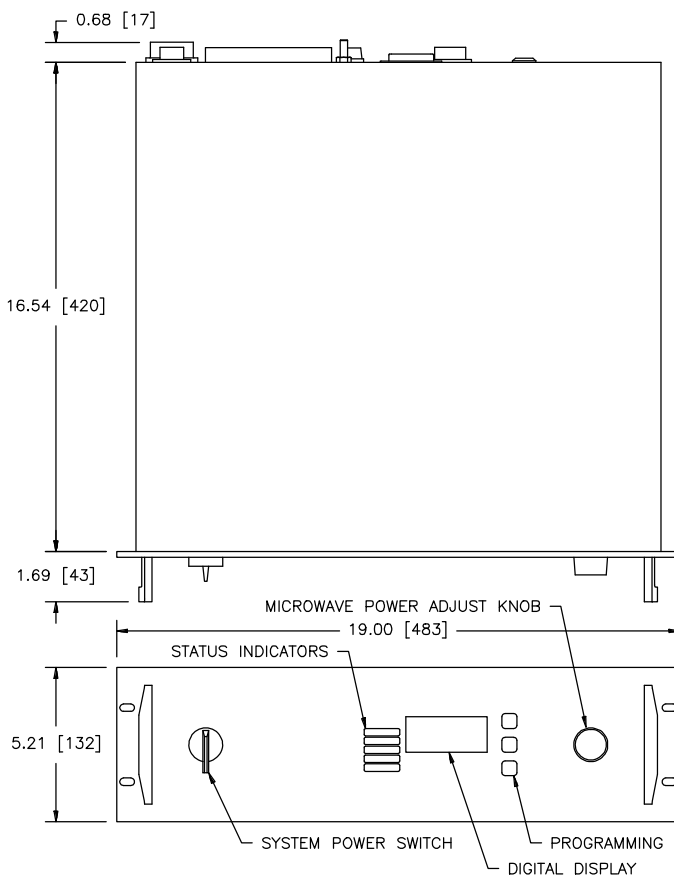
# 3kW OEM Microwave Generator, 2.45 GHz, WR340



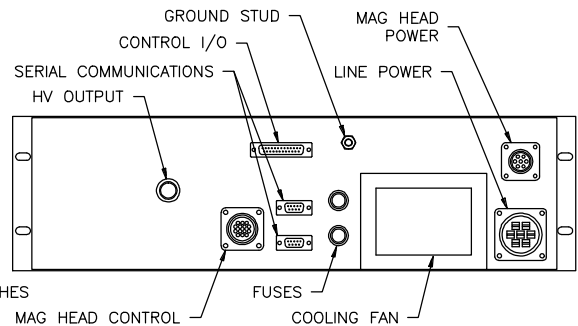
## Model GA4320



SYSTEM INTERCONNECT DIAGRAM



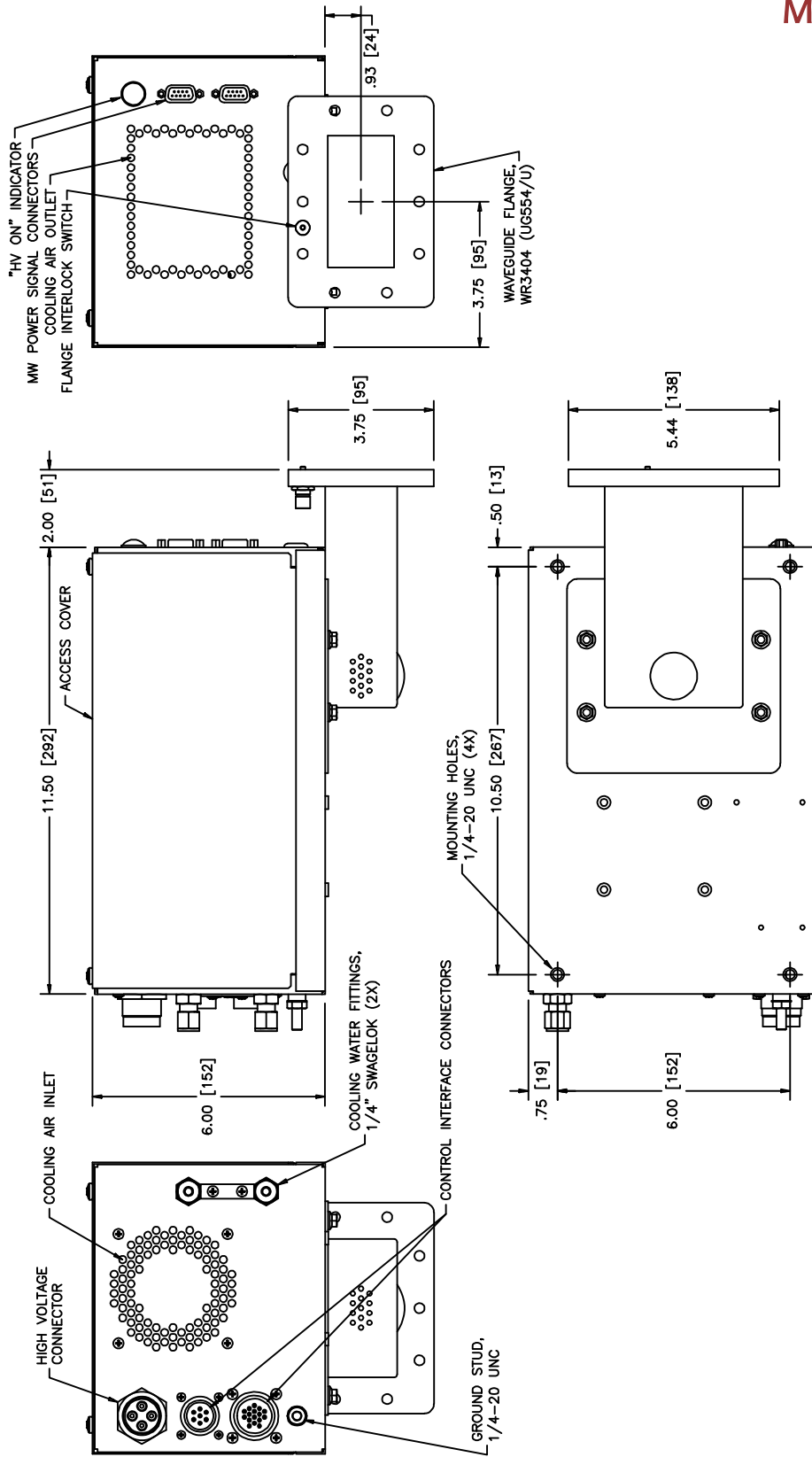
MODEL GA4106A  
HIGH VOLTAGE POWER SUPPLY



# 3kW OEM Microwave Generator, 2.45 GHz, WR340

**GERLING**

**Model GA4320**



**GERLING APPLIED  
ENGINEERING, INC.**

© 2007-2009 Gerling Applied Engineering, Inc.  
 PO Box 580816 ■ Modesto, CA 95358 ■ USA  
 Phone: +1-209-527-8960 ■ Fax: +1-209-527-5385  
 E-mail: sales@2450MHz.com ■ Web: www.2450MHz.com

All dimensions are in inches [millimeters].

### Remote Control Interface

