

# 1.2kW OEM Microwave Generator, 2.45 GHz, WR340

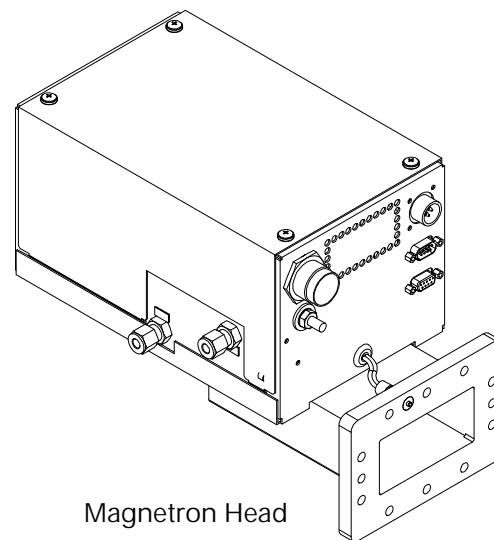
GERLING

## Model GA4324

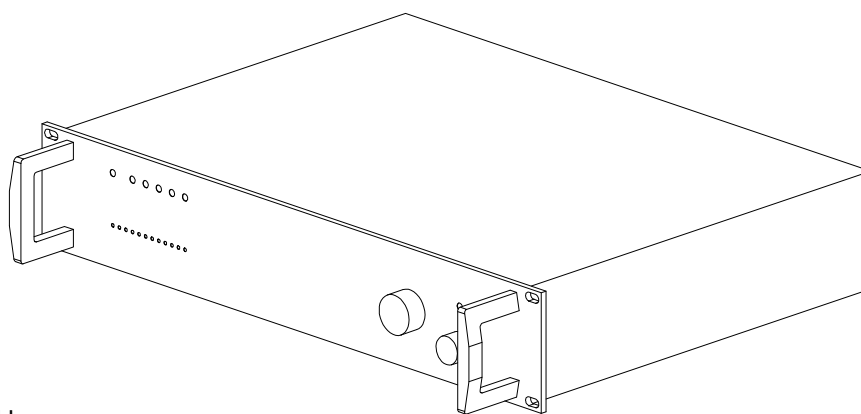
The model GA4324 microwave generator is designed to deliver up to 1.2kW low ripple microwave power for industrial microwave heating applications. The system consists of a rack mounted power supply (model GA4104A), remote magnetron head (model GA4022) and interconnecting cable set for a turnkey user-friendly microwave generator. The magnetron head is specially designed for OEM system applications where small size and ease of maintenance are of primary importance. Operation of the GA4324 is by an analog remote control interface.

Installation, serviceability and operator safety were primary considerations in the design of the GA4324 system. Setup involves little more than locating the power supply and magnetron head modules, attaching the waveguide and interconnect cables and plugging in the line power connector. Convenient mounting holes allow the equipment to be secured in place if necessary. Removal and replacement of the internal magnetron can be accomplished quickly using standard tools. The system is designed to comply with all regulatory requirements for emissions and operator safety when used in industrial environments.

The magnetron head is housed in an attractive brushed stainless steel enclosures for a striking appearance and rugged durability. The complete system includes a standardized 10 ft. cable set for connecting between the magnetron head and power supply (alternate lengths may be specified by customer). Optionally, the interconnect cables and/or connector set may be ordered separately. Contact GAE for more detailed information on these and other available options and custom configurations.



Magnetron Head



Power Supply Module

### General Specifications:

Output Frequency	2.45 GHz +/- 30 MHz
Output Power	1.2kW continuous
Output Control	Continuously variable 10-100%
Output Ripple	<4% of full power
Regulation:	<1% for +/- 10% line voltage variation
Magnetron	Water-cooled Panasonic 2M137
Output Waveguide	WR340
Output Flange	WR340 (UG-554/U)
Cooling	0.5 gpm @ 35°C max inlet temp (dew point minimum inlet temp)
Input Line Power	180-265 VAC, 50/60 Hz, 1-phase, 12 Amp max (@ 230 VAC)
Remote Controls	Mw Enable Input Power Control Input (0-10 VDC) Anode Current Output Alarm Status Output (relay) External Interlock

Local Controls	Main Power On-Off (rotary switch) Mw Power Adjust (multiturn dial) Power and Status Indicators (LED)
Interlocks	Access cover, Magnetron cooling, Magnetron over-temp
Construction	Mag Head: Brushed stainless steel enclosure, aluminum waveguide Power Supply: Aluminum rack- mount enclosure
Weight (approx.)	Mag Head: 10 lbs (4.5 kgm) Power Supply: 26 lbs (12 kgm)

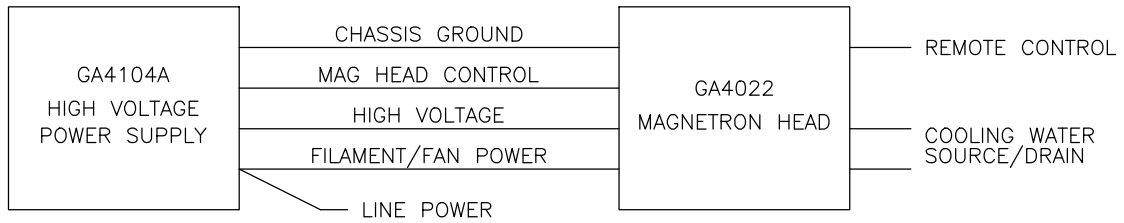
### Accessories:

- ◆ Flange Hardware Kit, Model GA8409  
(please see GA8409 specification for selection)

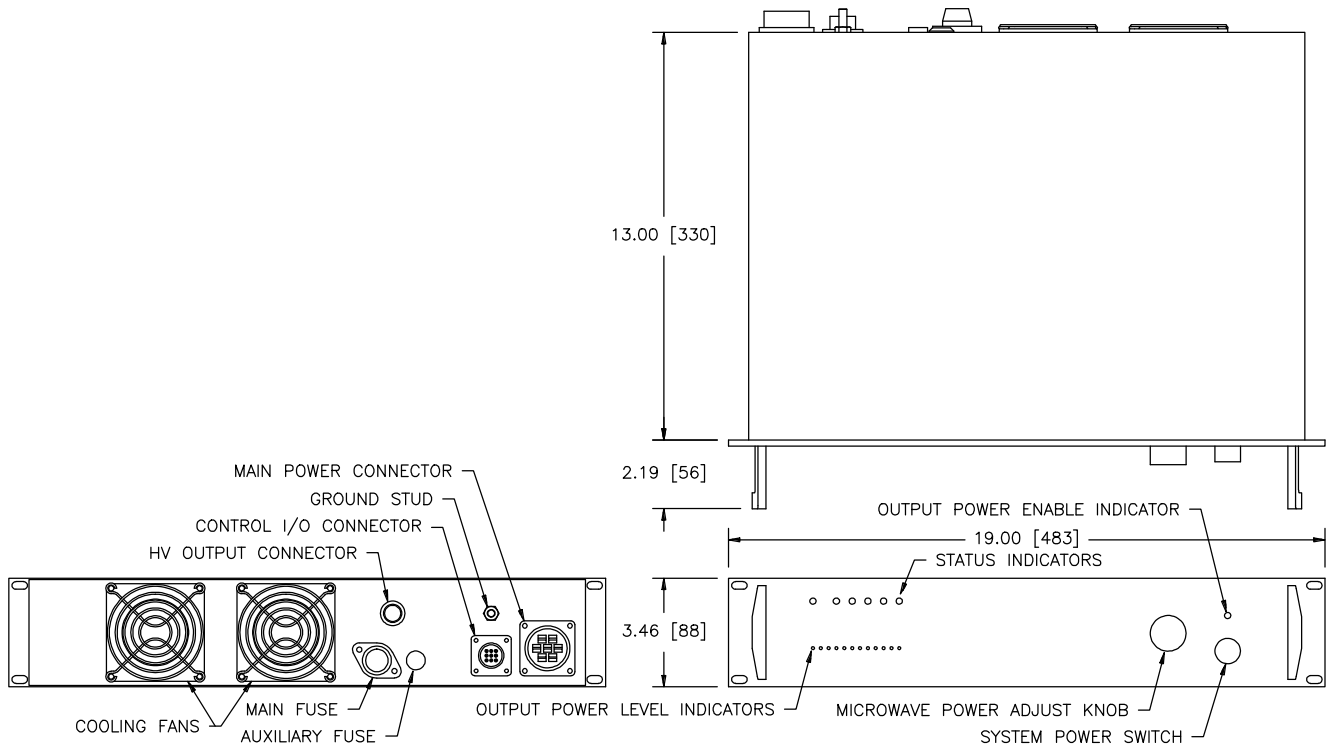


GERLING APPLIED  
ENGINEERING, INC.

© 2007 Gerling Applied Engineering, Inc.  
PO Box 580816 ▪ Modesto, CA 95358 ▪ USA  
Phone: +1-209-527-8960 ▪ Fax: +1-209-527-5385  
E-mail: sales@2450MHz.com ▪ Web: www.2450MHz.com



### SYSTEM INTERCONNECT DIAGRAM

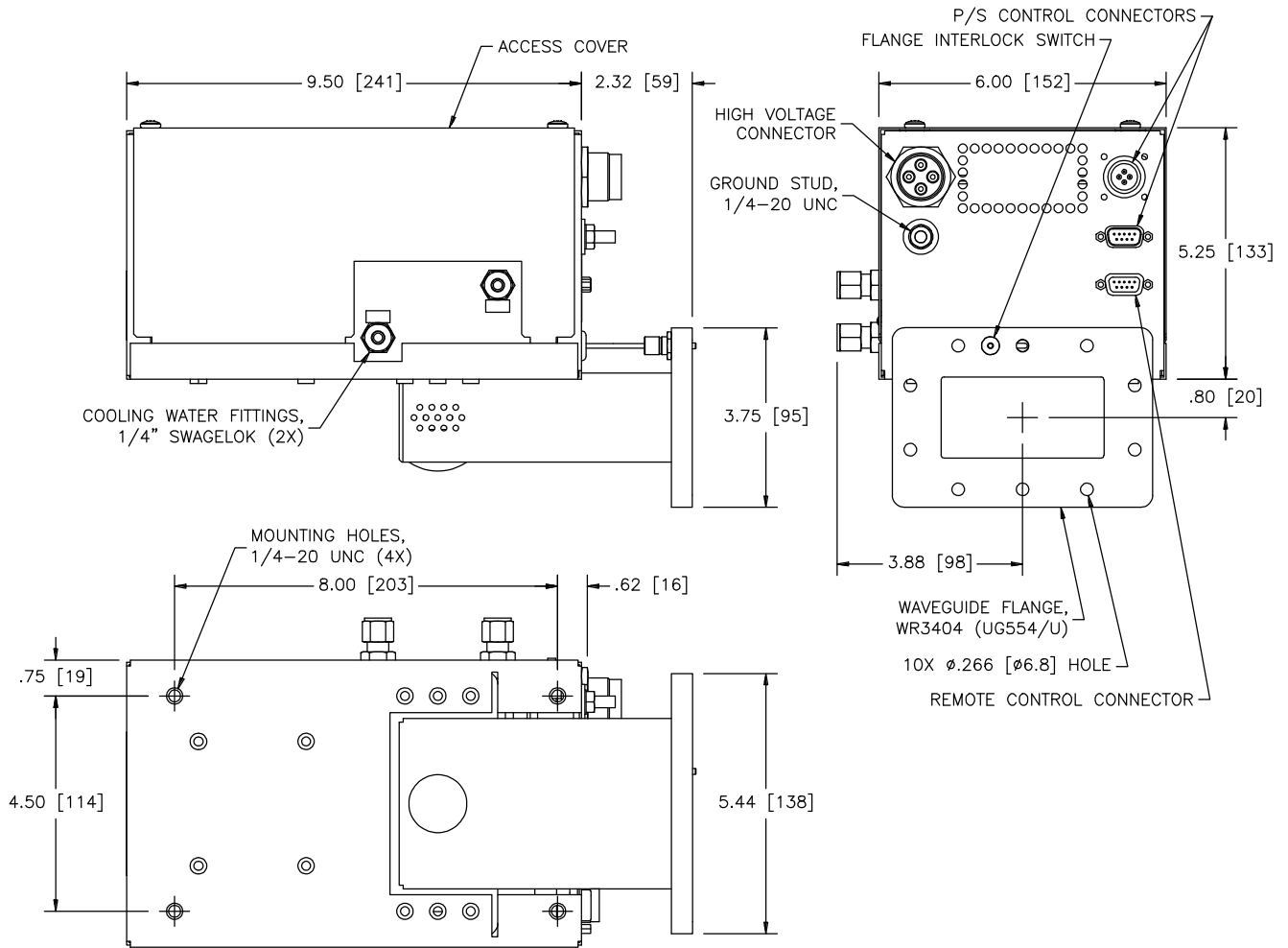


Model GA4104A Power Supply

# 1.2kW OEM Microwave Generator, 2.45 GHz, WR340

GERLING

## Model GA4322



Model GA4022 Magnetron Head



GERLING APPLIED  
ENGINEERING, INC.

© 2007 Gerling Applied Engineering, Inc.  
PO Box 580816 • Modesto, CA 95358 • USA  
Phone: +1-209-527-8960 • Fax: +1-209-527-5385  
E-mail: sales@2450MHz.com • Web: www.2450MHz.com

All dimensions are in inches [millimeters].