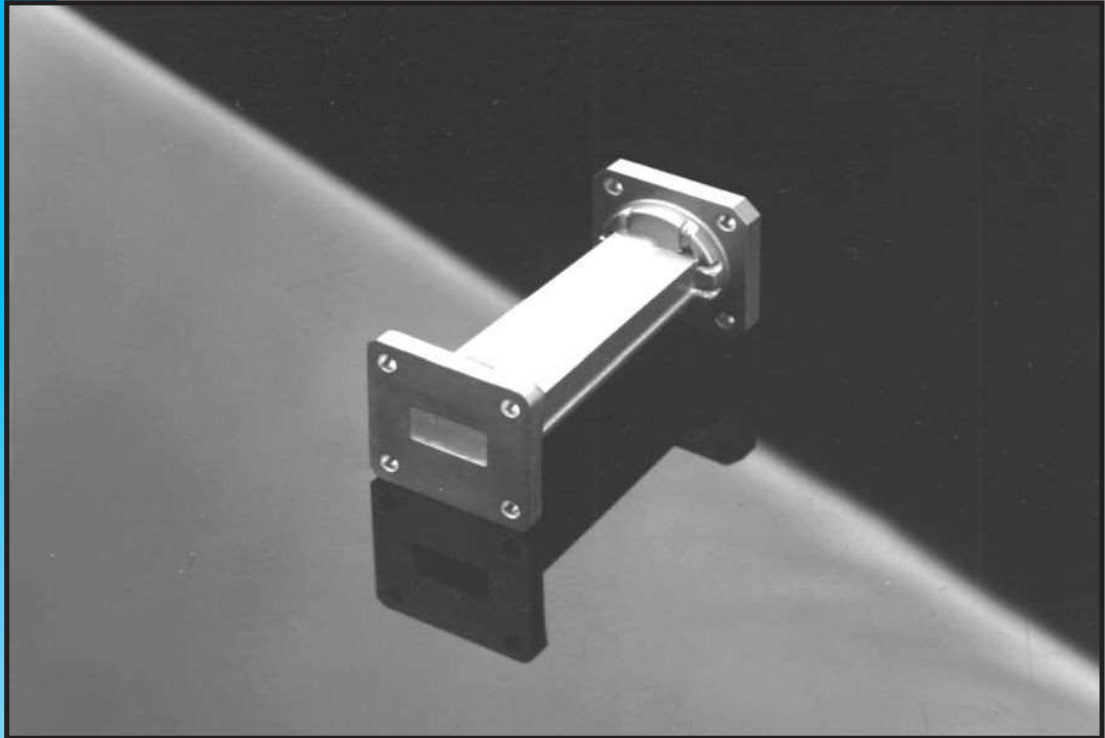


TRANSITIONS-TAPERED



Our Tapered Waveguide Transitions are a means of propagating RF energy from one waveguide size to another.

Standard Transitions are available in 2 Lengths:

The Longer Transitions are for better VSWR (1.05 :1 Typ.)

The Shorter Transitions (VSWR 1.08 :1 Typ.) are for shorter length requirements

Brass/Bronze Transitions are Silver Plated per QQ-S-365D class A. Aluminum Transitions are Chem-filmed per MIL-C-5541E and both are finished with PENN ENGINEERING'S Polyurethane Blue Paint.

High frequency Transitions are Gold plated and painted black.

Other Standard and Custom Transitions are available upon request

PENN ENGINEERING COMPONENTS

12750 RAYMER ST.
N. HOLLYWOOD
CALIFORNIA 91605

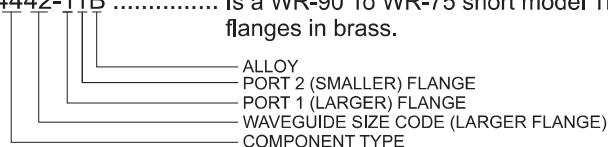
(818) 503-1511

FAX (818) 764-0195

www.pennengineering.com

ORDERING INFORMATION - TO ORDER, USE THE FOLLOWING EXAMPLE:

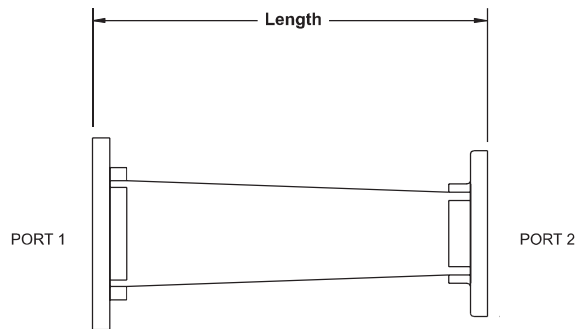
MODEL 4442-11B Is a WR-90 To WR-75 short model Transition with cover flanges in brass.



ALLOY: A=ALUMINUM B=BRASS C=COPPER S=SILVER SS=STAINLESS STEEL
FLANGE: 1=COVER 2=CHOKE 3=CMR 4=CPRG 5=CPRF

(See last page for complete list of flanges and materials)

TRANSITIONS -TAPERED



From Size (Port 1)	To Size (Port 2)	Length	Short Model #	Long Model #
WR-284	WR-229	6" or 12"	4456	4556
WR-229	WR-187	6" or 12"	4454	4554
WR-187	WR-159	6" or 12"	4452	4552
WR-159	WR-137	6" or 12"	4450	4550
WR-137	WR-112	6" or 12"	4448	4548
WR-112	WR-90	3" or 6"	4446	4546
WR-102	WR-90	3" or 6"	4444	4544
WR-90	WR-75	3" or 6"	4442	4542
WR-75	WR-62	3" or 6"	4440	4540
WR-62	WR-51	3" or 6"	4438	4538
WR-51	WR-42	3" or 6"	4436	4536
WR-42	WR-34	2" or 4"	4434	4534
WR-34	WR-28	2" or 4"	4432	4532
WR-28	WR-22	2	4430*	—
WR-22	WR-19	1.8	4428*	—
WR-19	WR-15	1.6	4426*	—
WR-15	WR-12	1.4	4424*	—
WR-12	WR-10	1.3	4422*	—
WR-10	WR-8	1.2	4420*	—
WR-8	WR-6	1.1	4418*	—
WR-6	WR-5	1	4416*	—
WR-5	WR-4	1	4414*	—
WR-4	WR-3	0.75	4412*	—

*Electro-Formed and Gold Plated with black finish

dimensions are in inches